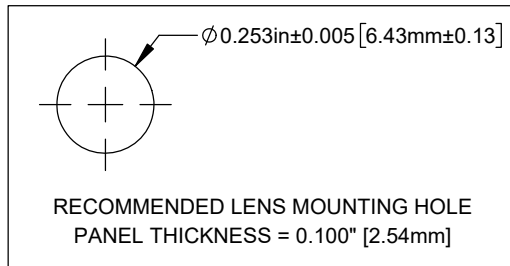
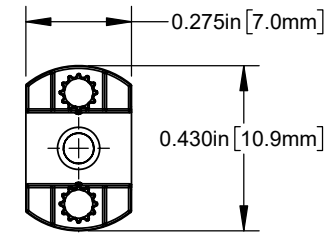
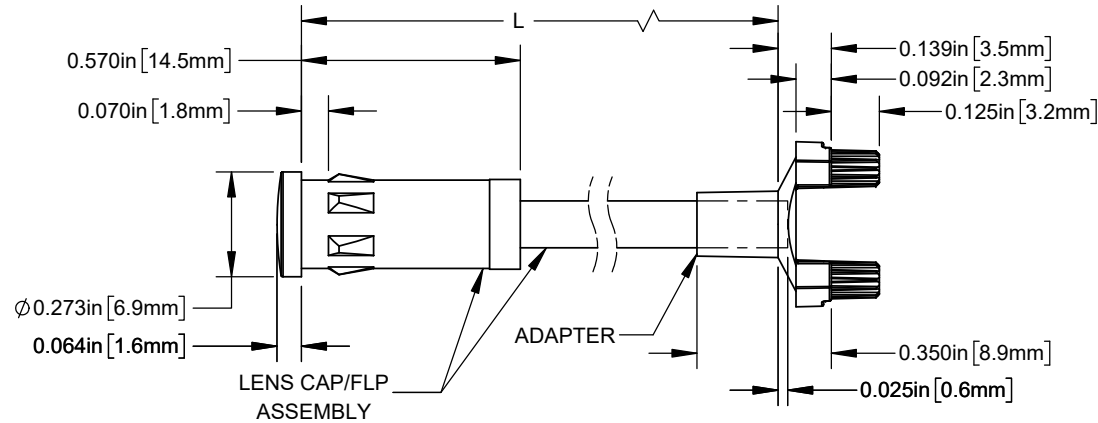


NOTES:

1. COMPONENTS SHIPPED NON-ASSEMBLED.

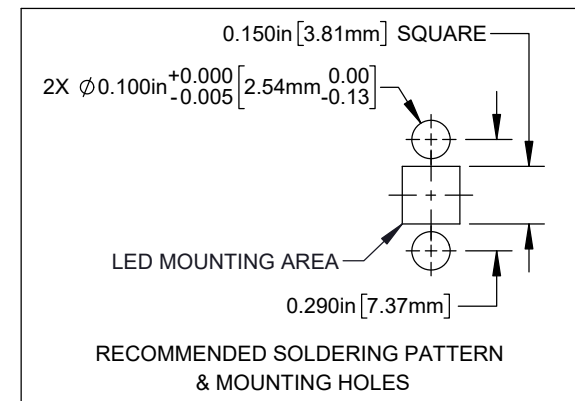
REVISIONS			
REV.	DESCRIPTION	DATE	APPROVED
A	Engineering Release	09/13/2019	A.V.
B	ECO-1241: Updated Recommended Mounting Holes	4/10/2024	A.V.



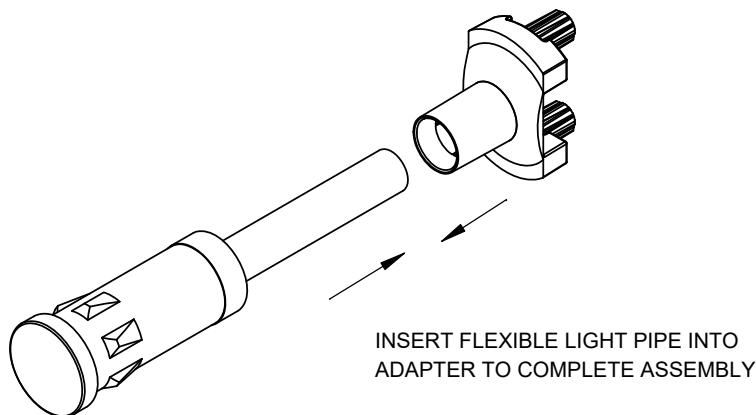
**PART NUMBER CONFIGURATOR**  
SEE SHEET 2 FOR ORDERING INFORMATION

SF4-X.XX-F7P-X

LENGTH (L) (SEE TABLE 1)      CABLE COLOR (SEE TABLE 2)



**CUSTOMER USE DRAWING**



STANDARD TOLERANCE (UNLESS OTHERWISE SPECIFIED)		 4 THOMAS, IRVINE, CA. 92618 TEL: (949) 951-8808 FAX: (949) 951-3974	
DECIMALS	ANGULAR		
.X $\pm .1$	X° $\pm 1^\circ$	TITLE: FLP ASSEMBLY WITH SMFLP ADAPTER, FLP25	
.XX $\pm .02$		DESIGNED: K. BARON	DATE: 9/13/2019
.XXX $\pm .010$		REVISION: B	DRAWING NO: SF4-X.XX-F7P-X
		REVISOR: K. BARON	DATE: 4/10/2024
		CHECKED: A. VALDEZ	DATE: 4/10/2024
SHEET SIZE: A		CAGE CODE: 32559	
SCALE: 2:1		SHEET # 1 OF 2	
CAD GENERATED DOCUMENT, DO NOT MEASURE DRAWING			

TABLE 1 - LENGTH	
LENGTH (L)*	TOLERANCE
1.00" - 16.00"	±0.05"
16.05" - 40.00"	±0.15"
40.05" - 80.00"	±0.30"
80.05" - 3,940.00"	±0.5%

\*AVAILABLE IN 0.05" INCREMENTS

TABLE 2 - CABLE	
ORDER CODE	CABLE COLOR
(BLANK)	BLACK
2	RED
4	YELLOW
5	GREEN
6	BLUE
9	WHITE

SAMPLE PART NUMBER

SF4-11.20-F7P-2

11.20" LENGTH

RED CABLE

**CUSTOMER USE DRAWING**

		<b>BIVAR</b> <sup>®</sup>	
<b>CAGE CODE:</b>	<b>32559</b>	<b>DRAWING NO:</b> SF4-X.XX-F7P-X	<b>REVISION:</b> <b>B</b>
<b>SHEET SIZE:</b>	<b>A</b>	SCALE: 2:1	<b>SHEET # 2 OF 2</b>
<small>CAD GENERATED DOCUMENT, DO NOT MEASURE DRAWING</small>			