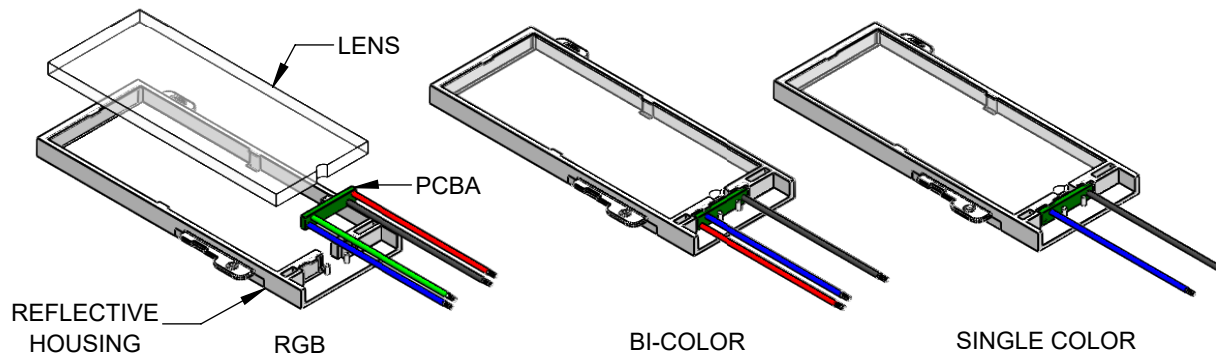
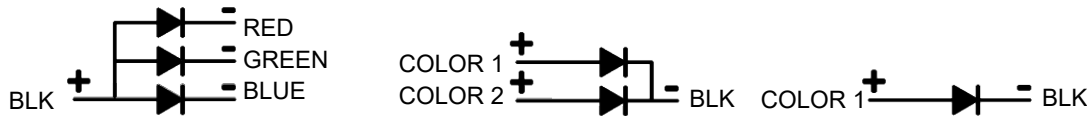
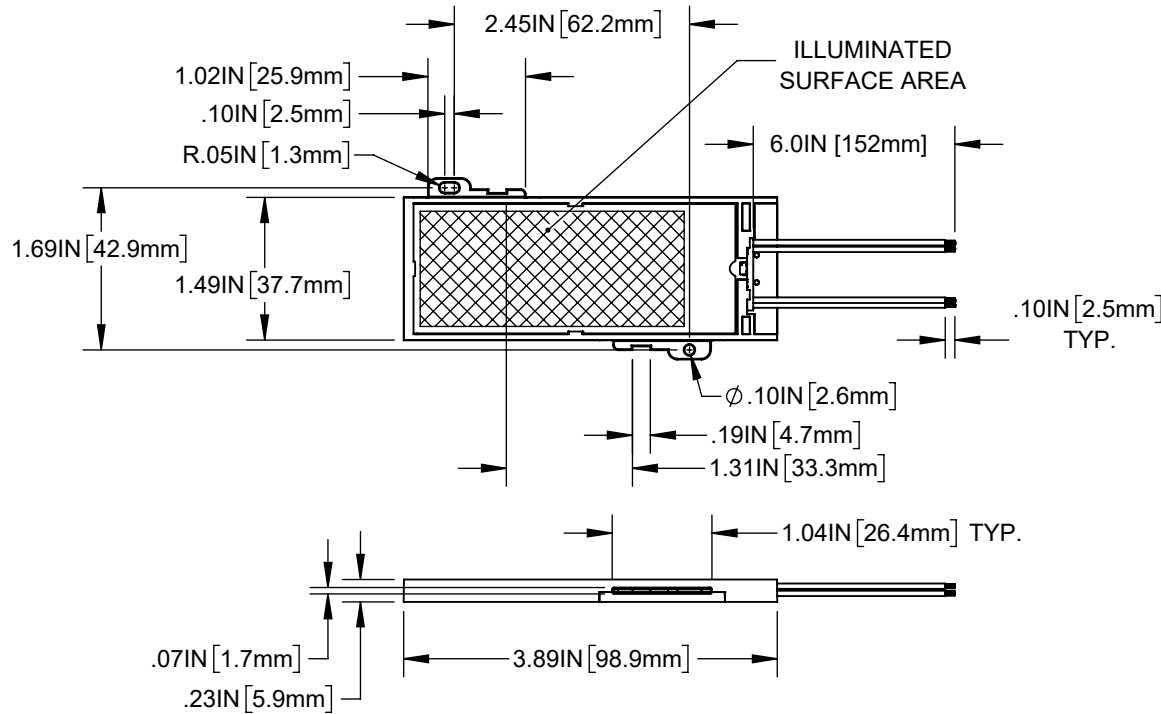


NOTES:

1. HOUSING: PC/ABS OR PC, HIGHLY REFLECTIVE WHITE, UL94V-0.
2. LENS: PMMA; CLEAR
3. WIRES: AWG #26, UL1061, RED, GREEN, YELLOW, BLUE & BLACK
4. VOLTAGE INPUT: 5VDC, .020mA Typical.
5. CIRCUIT SCHEMATIC PER BELOW
6. LEDS PER BIVAR SMTL2 AND SMTL4 SERIES. (SEE TABLE)
7. CHECK BIVAR.COM WEBSITE FOR MOUNTING CONFIGURATIONS.
8. ILLUMINATED SURFACE AREA OF 2.5IN X 1.2IN

REVISIONS			
REV.	DESCRIPTION	DATE	APPROVED
A	ENGINEERING RELEASE	03/06/2024	A.V.



PART NO.	COLOR	LED	λ_D
SAR-0001-RD	Red	SMTL2-URC	620
SAR-0001-GN	Green	SMTL2-UPGC	520
SAR-0001-YW	Yellow	SMTL2-UYC	590
SAR-0001-RB	Red	SMTL4-SBC-RB	624
	Blue		470
SAR-0001-YG	Yellow	SMTL4-SBD-YG	590
	Green		572
SAR-0001-RG	Red	SMTL4-SBC	624
	Green		572
SAR-0001-RY	Red	SMTL4-SBD-RY	624
	Yellow		590
SAR-0001-RGB	Red	SMTL4-RGB	624
	Green		520
	Blue		470

CUSTOMER USE DRAWING

STANDARD TOLERANCE (UNLESS OTHERWISE SPECIFIED)		 4 THOMAS, IRVINE, CA. 92618 TEL: (949) 951-8808 FAX: (949) 951-3974		
DECIMALS	ANGULAR			
.X ± .1	X° ± 1°	TITLE: SURFACE AREA LIGHT GUIDE, RECTANGULAR DRAWING NO: SAR-0001-XX REVISION: A		
.XX ± .01				
.XXX ± .005		DESIGNED: D.KIM	DATE: 03/06/2024	SHEET SIZE: A SCALE: 1:2 SHEET # 1 OF 1
		REVISOR:	DATE:	
CHECKED: A.VALDEZ	DATE: 03/06/2024	CAD GENERATED DOCUMENT, DO NOT MEASURE DRAWING		