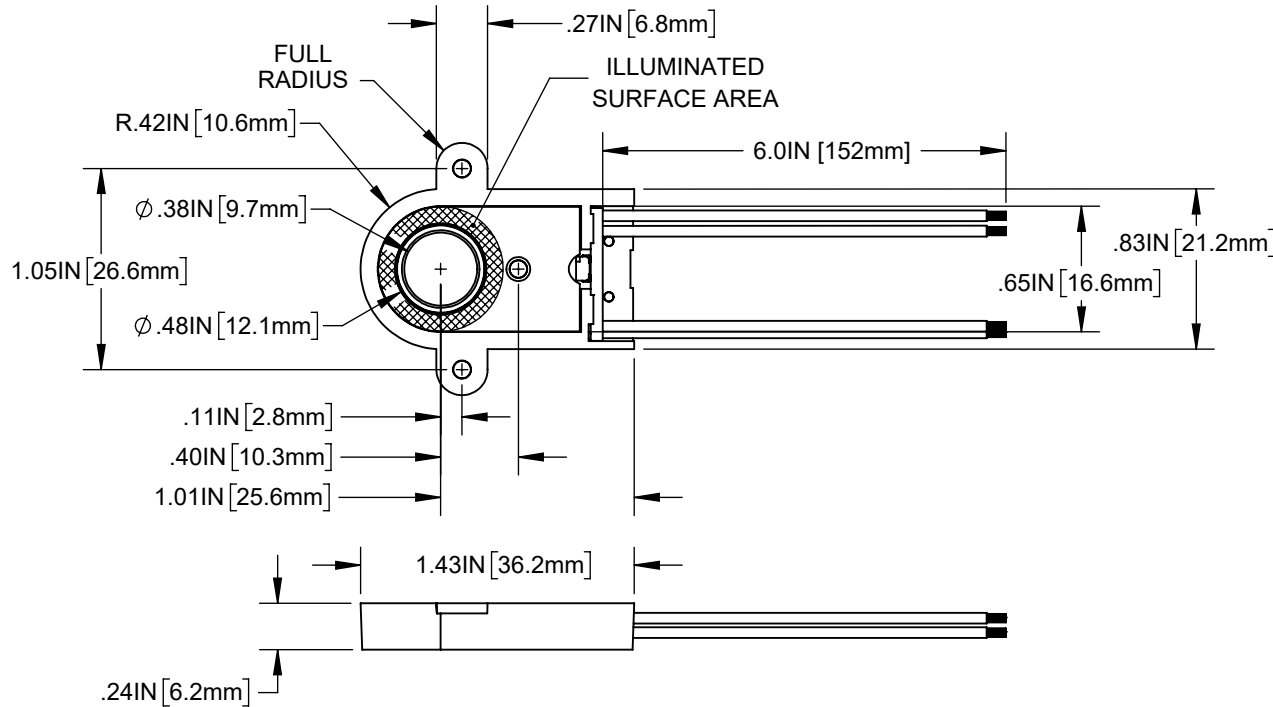


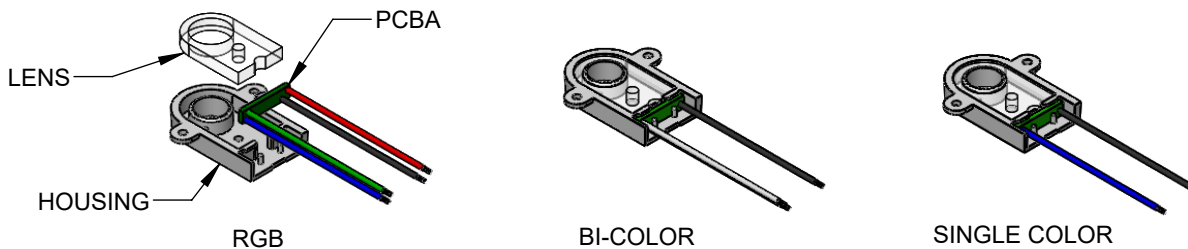
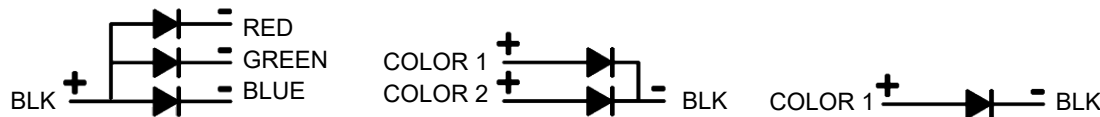
NOTES:

1. HOUSING: PC/ABS OR PC, HIGHLY REFLECTIVE WHITE, UL94V-0.
2. LENS: PMMA; CLEAR
3. WIRES: AWG #26, UL1061, RED, GREEN, YELLOW, BLUE & BLACK
4. VOLTAGE INPUT: 5VDC, .020mA Typical.
5. CIRCUIT SCHEMATIC PER BELOW
6. LEDS PER BIVAR SMTL2 AND SMTL4 SERIES. (SEE TABLE)
7. CHECK BIVAR.COM WEBSITE FOR MOUNTING CONFIGURATIONS
8. ILLUMINATED SURFACE AREA OF 0.55IN DIAMETER.

REVISIONS			
REV.	DESCRIPTION	DATE	APPROVED
A	ENGINEERING RELEASE	03/06/2024	A.V.



PART NO.	COLOR	LED	$\lambda_D$
SAC-0004-RD	Red	SMTL2-URC	620
SAC-0004-GN	Green	SMTL2-UPGC	520
SAC-0004-YW	Yellow	SMTL2-UYC	590
SAC-0004-RB	Red	SMTL4-SBC-RB	624
	Blue		470
SAC-0004-YG	Yellow	SMTL4-SBD-YG	590
	Green		572
SAC-0004-RG	Red	SMTL4-SBC	624
	Green		572
SAC-0004-RY	Red	SMTL4-SBD-RY	624
	Yellow		590
SAC-0004-RGB	Red	SMTL4-RGB	624
	Green		520
	Blue		470



**CUSTOMER USE DRAWING**

STANDARD TOLERANCE (UNLESS OTHERWISE SPECIFIED)		 4 THOMAS, IRVINE, CA. 92618 TEL: (949) 951-8808 FAX: (949) 951-3974	
DECIMALS	ANGULAR		
.X ± .1	X° ± 1°	TITLE: SURFACE AREA LIGHT GUIDE, CIRCULAR DRAWING NO: SAC-0004-XX REVISION: A	
.XX ± .01			
.XXX ± .005		SHEET SIZE: A	CAGE CODE: 32559
DESIGNED: D.KIM	DATE: 03/06/2024	SCALE: 1:2 SHEET # 1 OF 1	
REVISOR:	DATE:	CAD GENERATED DOCUMENT, DO NOT MEASURE DRAWING	
CHECKED: A.VALDEZ	DATE: 03/06/2024		