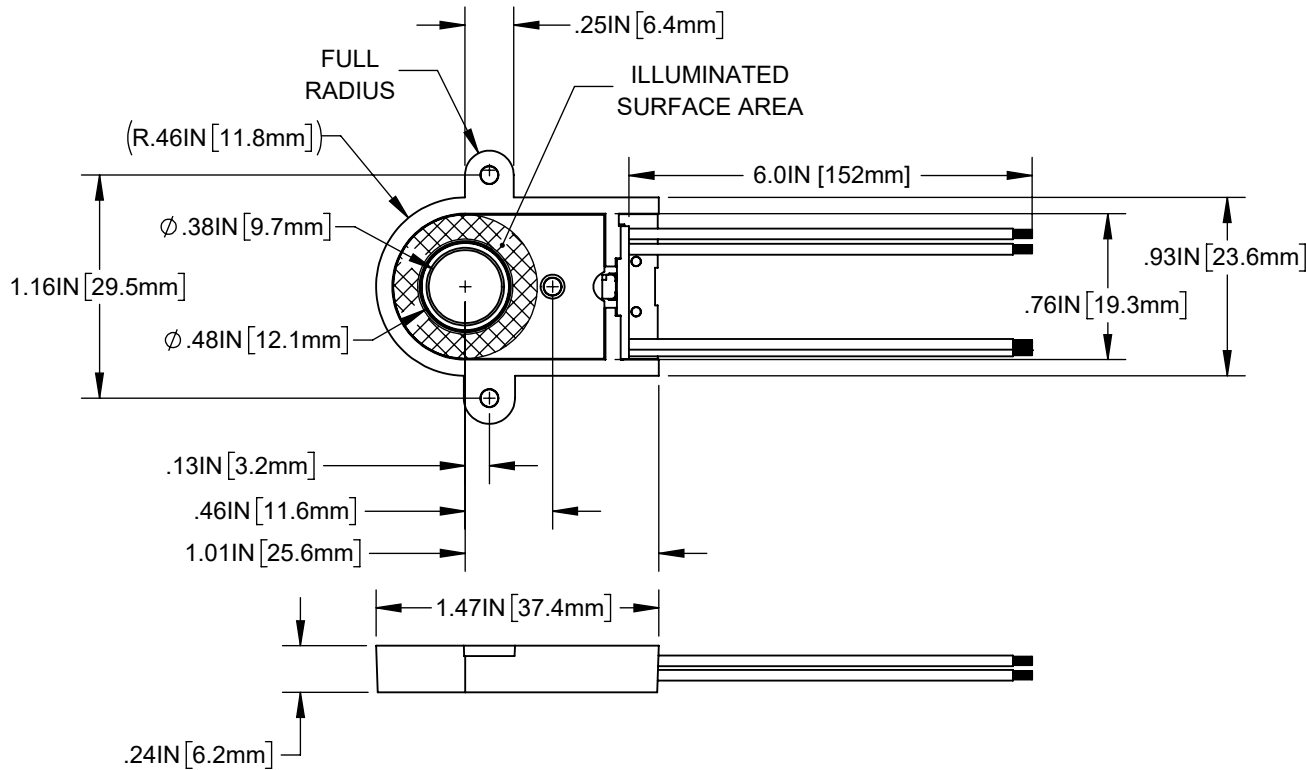


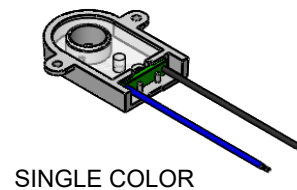
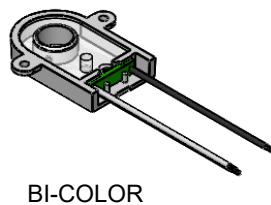
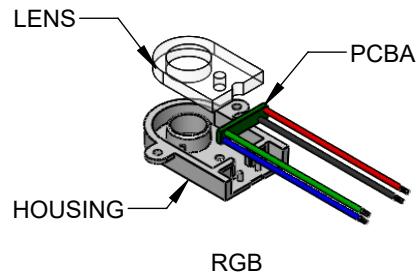
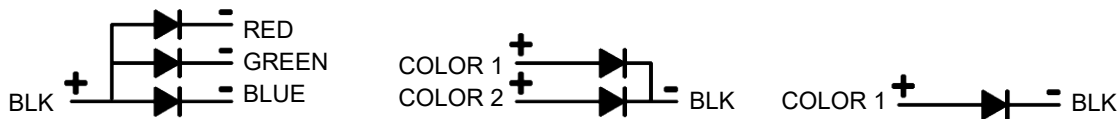
NOTES:

- HOUSING: PC/ABS OR PC, HIGHLY REFLECTIVE WHITE, UL94V-0.
- LENS: PMMA; CLEAR
- WIRES: AWG #26, UL1061, RED, GREEN, YELLOW, BLUE & BLACK
- VOLTAGE INPUT: 5VDC, .020mA Typical.
- CIRCUIT SCHEMATIC PER BELOW
- LEDS PER BIVAR SMTL2 AND SMTL4 SERIES. (SEE TABLE)
- CHECK BIVAR.COM WEBSITE FOR MOUNTING CONFIGURATIONS
- ILLUMINATED SURFACE AREA OF 0.75IN DIAMETER.

REVISIONS			
REV.	DESCRIPTION	DATE	APPROVED
A	ENGINEERING RELEASE	03/06/2024	A.V.



PART NO.	COLOR	LED	λ_D
SAC-0003-RD	Red	SMTL2-URC	620
SAC-0003-GN	Green	SMTL2-UPGC	520
SAC-0003-YW	Yellow	SMTL2-UYC	590
SAC-0003-RB	Red	SMTL4-SBC-RB	624
	Blue		470
SAC-0003-YG	Yellow	SMTL4-SBD-YG	590
	Green		572
SAC-0003-RG	Red	SMTL4-SBC	624
	Green		572
SAC-0003-RY	Red	SMTL4-SBD-RY	624
	Yellow		590
SAC-0003-RGB	Red	SMTL4-RGB	624
	Green		520
	Blue		470



CUSTOMER USE DRAWING

STANDARD TOLERANCE (UNLESS OTHERWISE SPECIFIED)		 4 THOMAS, IRVINE, CA. 92618 TEL: (949) 951-8808 FAX: (949) 951-3974	
DECIMALS	ANGULAR		
.X \pm .1	X° \pm 1°		
.XX \pm .01		TITLE: SURFACE AREA LIGHT GUIDE, CIRCULAR	
.XXX \pm .005			
DESIGNED: D.KIM	DATE: 03/06/2024	DRAWING NO: SAC-0003-XX	REVISION: A
REVISION:	DATE:	SHEET SIZE: A	CAGE CODE: 32559
CHECKED: A.VALDEZ	DATE: 03/06/2024	SCALE: 1:2	SHEET # 1 OF 1