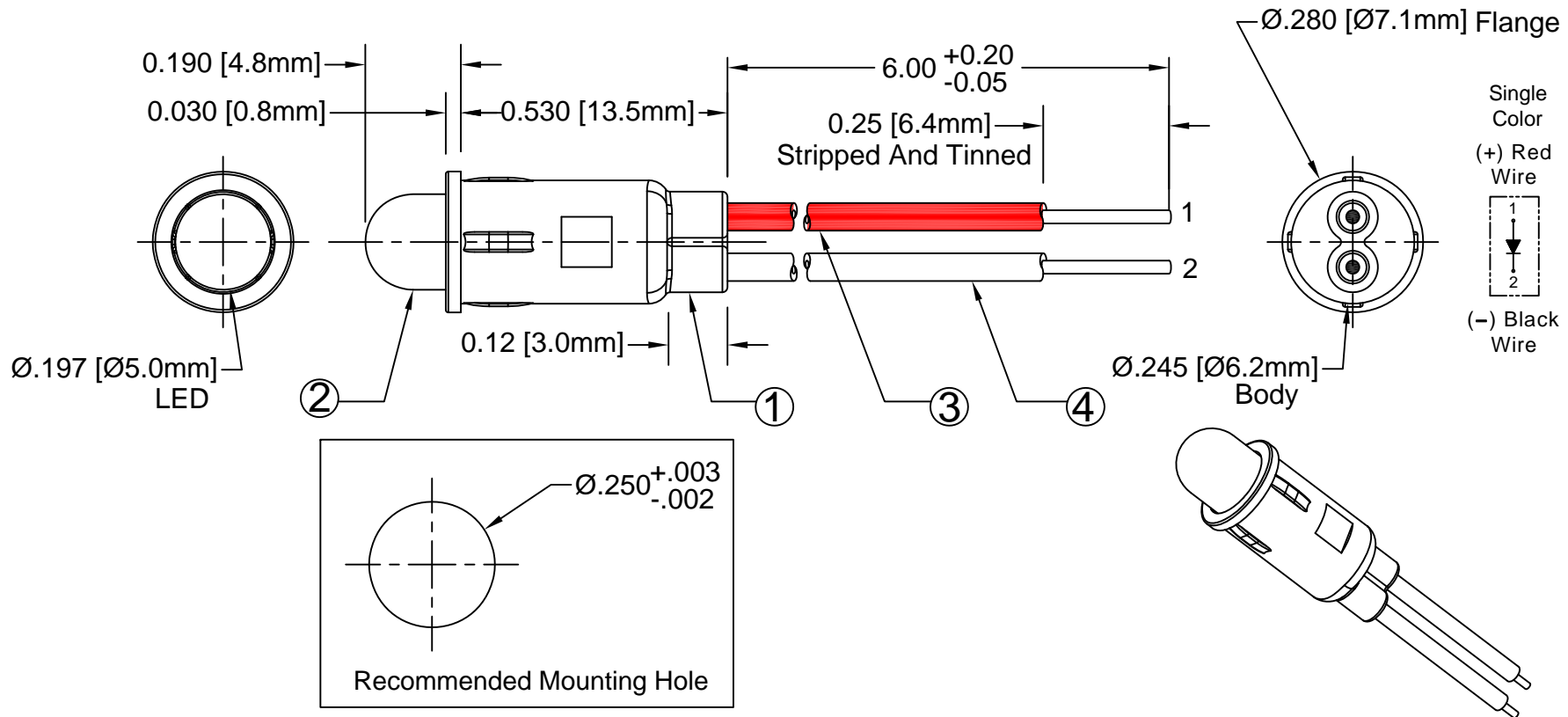


ITEM	Q'TY	PART NUMBER	PART DESCRIPTION
1	1	PM5	LED Holder, Panel Mount, Press Fit, 5mm
2	1	5UBWC-0.6K	T1 ¼ (5mm) Non-Flange LED, Blue
3	1	BWS24-1007-RD	24AWG Wire Lead U.L. 1007, Red
4	1	BWS24-1007-BK	24AWG Wire Lead U.L. 1007, Black

REV.	DESCRIPTION	DATE	APPROVED
A	Engineering Release	02/06/13	T. Y.
B	Updated BOM Item 1 P/N	08/25/16	J. C.



LED P/N	Chip			Lens Appearance	Absolute Max. Ratings		Electro-Optical Data @ 20mA			Viewing Angle 2 θ ½ (Deg)
	Material	Peak Wave Length λp (nm)	Emitted Color		Pd (mW)	If (mA)	Vf (V)		Iv (mcd)	
							TYP	MAX	TYP	
5UBWC-0.6K	GaN/Sic	470	BLUE	WATER CLEAR	150	25	3.8	4.5	600	35

ABSOLUTE MAXIMUM RATINGS (Ta = 25°C)

REVERSE VOLTAGE _____ 5V
 REVERSE CURRENT (VR=5V) _____ 100µA
 OPERATING TEMPERATURE RANGE _____ -25°C ~ 85°C
 STORAGE TEMPERATURE _____ -30°C ~ 100°C
 LEAD SOLDERING TEMPERATURE (1/16" FROM BODY) _____ 260°C for 5 Seconds

STANDARD TOLERANCE (UNLESS OTHERWISE SPECIFIED)		 4 THOMAS, IRVINE, CA. 92618 TEL: (949) 951-8808 FAX: (949) 951-3974	
DECIMALS	ANGULAR		
.X ±.1	X° ±1°	 TITLE: STANDARD PANEL MOUNT INDICATOR W/ WIRES PART NO: PM5UBWC0.6KW6 REVISION: B	
.XX ±.02			
.XXX ±.010			
DESIGNED: M. Doan	DATE: 02/06/13	CAGE CODE : 32559 SHEET # 1 OF 1 CAD GENERATED DOCUMENT. DO NOT MEASURE DRAWING.	
CHECKED: T. Yin	DATE: 02/06/13		