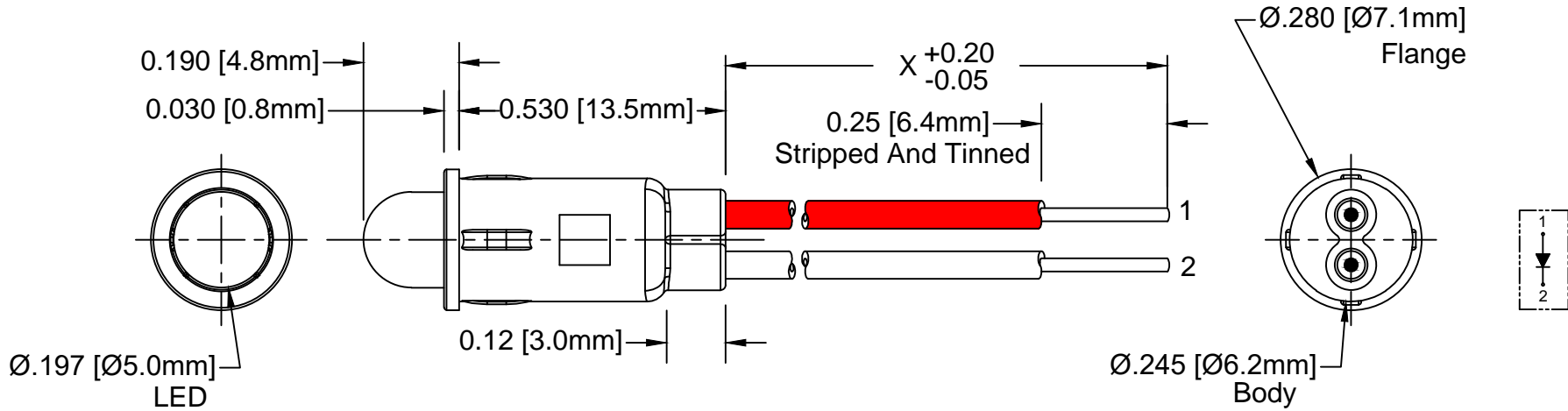
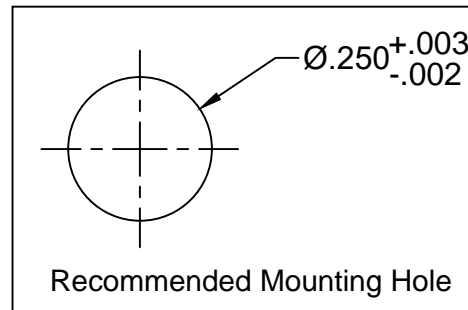
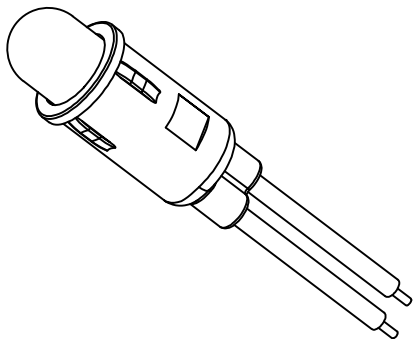


REV.	DESCRIPTION	DATE	APPROVED
A	Engineering Release	10/13/20	A. V.



LED Assy. No.	Peak Wave Length λ_p (nm)	Emitted Color	Lens Appearance	Electro-Optical Data @20mA				Viewing Angle 2 $\theta_{1/2}$ (Deg)	LED P/N
				If (mA)	Vf (V)		Iv (mcd)		
				MAX	TYP	MAX	TYP		
PM5GC12VWX.X	568	GREEN	WATER CLEAR	30	2.1	12	40	35	5GC12V



ABSOLUTE MAXIMUM RATINGS (Ta = 25°C)

REVERSE VOLTAGE	5V
REVERSE CURRENT (VR=5V)	100 μ A
OPERATING TEMPERATURE RANGE	-25°C ~ 85°C
STORAGE TEMPERATURE	-30°C ~ 100°C
LEAD SOLDERING TEMPERATURE (1/16" FROM BODY)	260°C for 5 Seconds

CUSTOMER USE DRAWING

STANDARD TOLERANCE (UNLESS OTHERWISE SPECIFIED)		 4 THOMAS, IRVINE, CA. 92618 TEL: (949) 951-8808 FAX: (949) 951-3974	
DECIMALS	ANGULAR		
.X \pm .1	X° \pm 1°		
.XX \pm .02		TITLE: STD PANEL MOUNT INDICATORS W/ WIRES	
.XXX \pm .010		PART NO: PM5GC12VWX.X	
DESIGNED: V. Chavez	DATE: 10/13/20	REVISION: A	
REVISOR:	DATE:	SHEET SIZE: A	CAGE CODE: 32559
CHECKED: A. Valdez	DATE: 10/13/20	SCALE: N/A	SHEET # 1 OF 1
CAD GENERATED DOCUMENT, DO NOT MEASURE DRAWING			