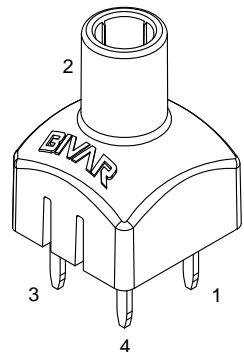
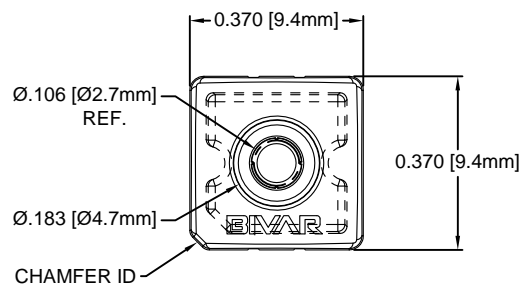


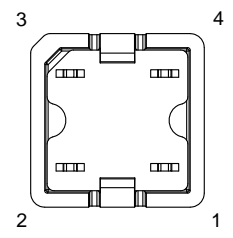
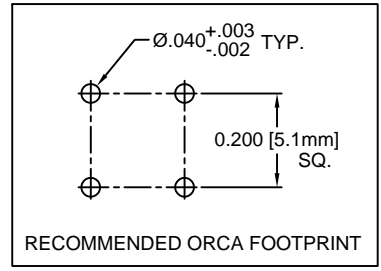
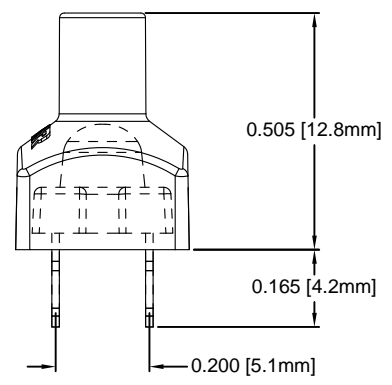
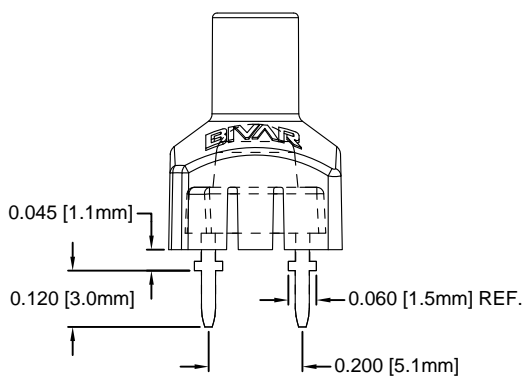
REV.	DESCRIPTION	DATE	APPROVED
A	Engineering Release	05/12/17	J. C.



NOTE: SEE PAGE 2 FOR POLARITY


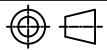


(DESIGNED FOR
BIVAR FLEXIBLE
LIGHT PIPE CABLE
FLPS2027)



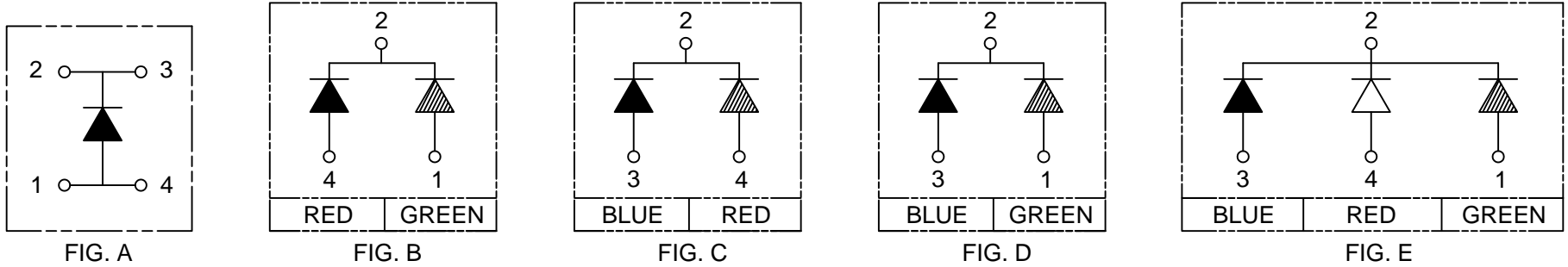
Part Number Configuration
ORFLP3-RED
LED Color,
See Page 2

- NOTES:
 1. ROHS COMPLIANT
 2. ADAPTER DESIGNED FOR BIVAR FLEXIBLE LIGHT PIPE CABLE FLPS2027

STANDARD TOLERANCE (UNLESS OTHERWISE SPECIFIED)		 4 THOMAS, IRVINE, CA. 92618 TEL: (949) 951-8808 FAX: (949) 951-3974	
DECIMALS	ANGULAR		
.X ± .1	X° ± 1°		TITLE: FLEXIBLE LIGHT PIPE ORCA ADAPTER W/LED
.XX ± .02			PART NO: ORFLP3-XXX
.XXX ± .010			REVISION: A
DESIGNED: TD. Nguyen	DATE: 04/30/17	CAGE CODE : 32559	SHEET # 1 OF 2
CHECKED: K. Baron	DATE: 04/30/17	CAD GENERATED DOCUMENT, DO NOT MEASURE DRAWING.	

REV.	DESCRIPTION	DATE	APPROVED
	SEE SHEET #1		

Assy P/N	Emitted Color	Dominant Wavelength λ_d (nm) / CCT (K)	Absolute Max. Ratings			LED Electro-Optical Data					LED P/N	Polarity Diagram
			Pd (mW)	If (mA)	Peak If (mA)	Vf (V)			LED Iv (mcd)			
		MIN				TYP	MAX	MIN	TYP			
SINGLE COLOR LED ASSEMBLIES (20mA)												
ORFLP3-BLU	BLUE	465 - 475	220	50	100	2.7	3.2	3.6	5000	8000	R20BLU-4-0045	FIG. A
ORFLP3-GRN	GREEN	517 - 527	220	50	100	2.7	3.2	3.6	15000	25000	R20GRN-4-0045	FIG. A
ORFLP3-WHT	WHITE	6000K	220	50	100	2.7	3.2	3.6	10000	16000	R20WHT-4-0045	FIG. A
SINGLE COLOR LED ASSEMBLIES (50mA)												
ORFLP3-RED	RED	620 - 635	140	80	160	1.8	2.4	2.6	12000	18000	R50RED-4-0045	FIG. A
ORFLP3-YLW	YELLOW	588 - 596	140	80	160	1.8	2.4	2.6	12000	18000	R50YLW-4-0045	FIG. A
BI-COLOR & TRI-COLOR LED ASSEMBLIES (50mA)												
ORFLP3-RG	RED	617 - 630	150	80	160	1.8	2.4	2.6	3000	4000	R50RG2-4-0045	FIG. B
	GREEN	515 - 525	220	80	150	3.0	3.4	3.8	6000	10000		
ORFLP3-RB	RED	617 - 630	150	80	160	1.8	2.4	2.6	3000	4000	R50RB2-4-0045	FIG. C
	BLUE	460 - 470	220	80	150	3.0	3.4	3.8	1000	3000		
ORFLP3-BG	BLUE	460 - 470	220	80	150	3.0	3.4	3.8	1000	3000	R50BG2-4-0045	FIG. D
	GREEN	515 - 525	220	80	150	3.0	3.4	3.8	6000	10000		
ORFLP3-RGB	RED	617 - 630	150	80	160	1.8	2.4	2.6	3000	4000	R50RGB-4-0045	FIG. E
	GREEN	515 - 525	220	80	150	3.0	3.4	3.8	6000	10000		
	BLUE	460 - 470	220	80	150	3.0	3.4	3.8	1000	3000		



ABSOLUTE MAXIMUM RATINGS (Ta=25°C)

REVERSE VOLTAGE _____ 5V
 REVERSE CURRENT _____ 10µA
 OPERATING TEMPERATURE RANGE _____ -25°C ~ +80°C
 STORAGE TEMPERATURE _____ -30°C ~ +80°C
 LEAD SOLDERING TEMPERATURE(1/16" FROM BODY) _____ 260°C FOR 5 SECONDS

STANDARD TOLERANCE (UNLESS OTHERWISE SPECIFIED) DECIMALS ANGULAR		BIVAR [®] 4 THOMAS, IRVINE, CA. 92618 TEL: (949) 951-8808 FAX: (949) 951-3974	
DESIGNED: TD. Nguyen		DATE: 04/30/17	
CHECKED: K. Baron		DATE: 04/30/17	
TITLE: FLEXIBLE LIGHT PIPE ORCA ADAPTER W/LED		REVISION: A	
PART NO: ORFLP3-XXX		CAGE CODE : 32559 SHEET # 2 OF 2	
CAD GENERATED DOCUMENT, DO NOT MEASURE DRAWING.			