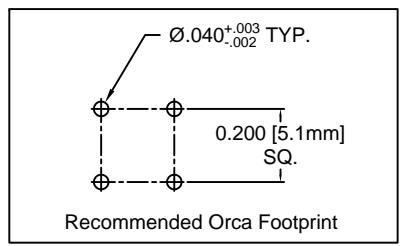
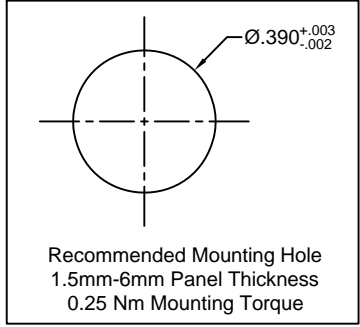
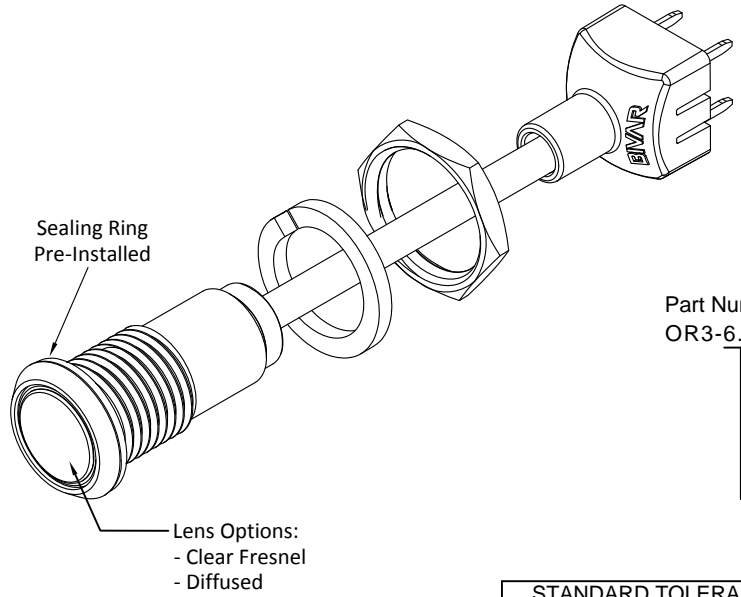
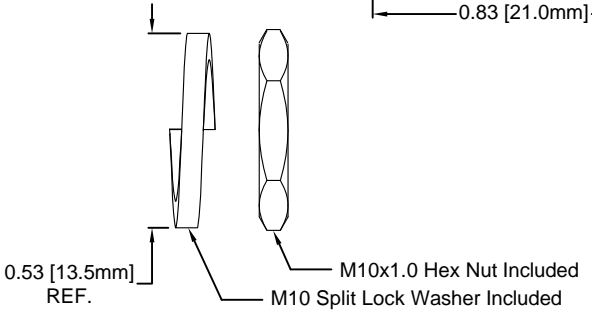
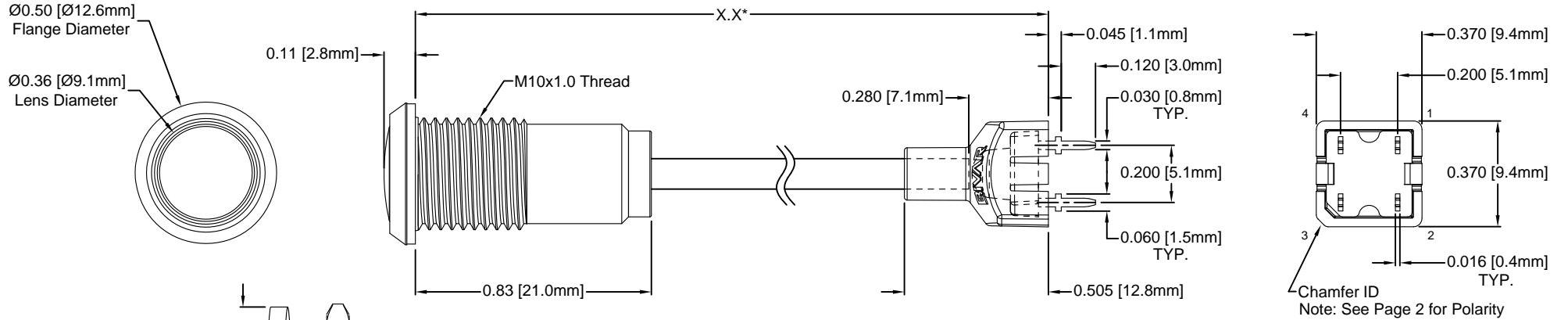


REV.	DESCRIPTION	DATE	APPROVED
A	Engineering Release	05/12/17	J. C.

*Length "X.X"	Tolerance
2.0" ~ 16.0"	±0.05"
16.1" ~ 40.0"	±0.15"
40.1" ~ 80.0"	±0.30"
80.1" ~ 500.0"	±0.5%



Part Number Configuration
OR3-6.5-UR-F9PX67PR

- Lens Options:
 - Z – Clear Fresnel
 - D – Diffused
- LED Color, See Page 2
- Length in 0.1" Increments Only

Lens Options:
 - Clear Fresnel
 - Diffused

- NOTES:**
1. SEALED TO IP67 RATING
 2. ROHS COMPLIANT
 3. MOUNTING HARDWARE AND ADAPTER SHIPPED NON-ASSEMBLED
 4. MINIMUM BEND RADIUS OF FLEXIBLE LIGHT PIPE: 1.06" [27mm]

STANDARD TOLERANCE (UNLESS OTHERWISE SPECIFIED)		BIVAR®	
DECIMALS	ANGULAR	4 THOMAS, IRVINE, CA. 92618	
.X ± .1	X° ± 1°	TEL: (949) 951-8808 FAX: (949) 951-3974	
.XX ± .02		TITLE: IP67 RATED PANEL MOUNT FLP INDICATOR, ORCA	
.XXX ± .010		PART NO: OR3-X.X-XXX-F9PX67PR	
DESIGNED: TD. Nguyen	DATE: 04/30/17	REVISION: A	
CHECKED: K. Baron	DATE: 04/30/17	CAGE CODE : 32559	SHEET # 1 OF 2
CAD GENERATED DOCUMENT. DO NOT MEASURE DRAWING.			

REV.	DESCRIPTION	DATE	APPROVED
	SEE SHEET #1		

Assy P/N	Emitted Color	Dominant Wavelength λ_d (nm) / CCT (K)	Absolute Max. Ratings			LED Electro-Optical Data					LED P/N	Polarity Diagram
			Pd (mW)	If (mA)	Peak If (mA)	Vf (V)			LED Iv (mcd)			
						MIN	TYP	MAX	MIN	TYP		
SINGLE COLOR LED ASSEMBLIES (20m A)												
OR3-X.X-BLU-F9PX67PR	BLUE	465 - 475	220	50	100	2.7	3.2	3.6	5000	8000	R20BLU-4-0045	FIG. A
OR3-X.X-GRN-F9PX67PR	GREEN	517 - 527	220	50	100	2.7	3.2	3.6	15000	25000	R20GRN-4-0045	FIG. A
OR3-X.X-WHT-F9PX67PR	WHITE	6000K	220	50	100	2.7	3.2	3.6	10000	16000	R20WHT-4-0045	FIG. A
SINGLE COLOR LED ASSEMBLIES (50m A)												
OR3-X.X-RED-F9PX67PR	RED	620 - 635	140	80	160	1.8	2.4	2.6	12000	18000	R50RED-4-0045	FIG. A
OR3-X.X-YLW-F9PX67PR	YELLOW	588 - 596	140	80	160	1.8	2.4	2.6	12000	18000	R50YLW-4-0045	FIG. A
BI-COLOR & TRI-COLOR LED ASSEMBLIES (50m A)												
OR3-X.X-RG-F9PX67PR	RED	617 - 630	150	80	160	1.8	2.4	2.6	3000	4000	R50RG2-4-0045	FIG. B
	GREEN	515 - 525	220	80	150	3.0	3.4	3.8	6000	10000		
OR3-X.X-RB-F9PX67PR	RED	617 - 630	150	80	160	1.8	2.4	2.6	3000	4000	R50RB2-4-0045	FIG. C
	BLUE	460 - 470	220	80	150	3.0	3.4	3.8	1000	3000		
OR3-X.X-BG-F9PX67PR	BLUE	460 - 470	220	80	150	3.0	3.4	3.8	1000	3000	R50BG2-4-0045	FIG. D
	GREEN	515 - 525	220	80	150	3.0	3.4	3.8	6000	10000		
OR3-X.X-RGB-F9PX67PR	RED	617 - 630	150	80	160	1.8	2.4	2.6	3000	4000	R50RGB-4-0045	FIG. E
	GREEN	515 - 525	220	80	150	3.0	3.4	3.8	6000	10000		
	BLUE	460 - 470	220	80	150	3.0	3.4	3.8	1000	3000		

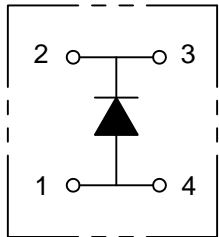


FIG. A

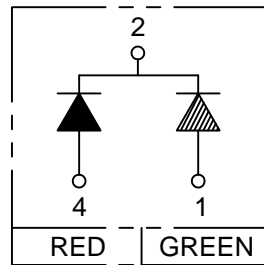


FIG. B

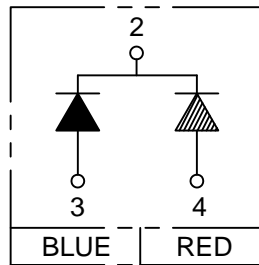


FIG. C

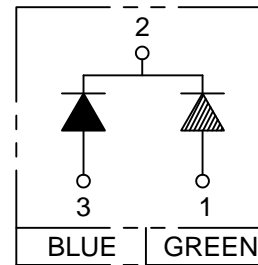


FIG. D

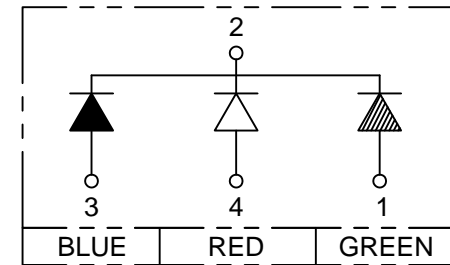


FIG. E

ABSOLUTE MAXIMUM RATINGS (Ta=25°C)

REVERSE VOLTAGE _____	5V
REVERSE CURRENT _____	10 μ A
OPERATING TEMPERATURE RANGE _____	-25°C ~ +80°C
STORAGE TEMPERATURE _____	-30°C ~ +80°C
LEAD SOLDERING TEMPERATURE(1/16" FROM BODY) _____	260°C FOR 5 SECONDS

STANDARD TOLERANCE (UNLESS OTHERWISE SPECIFIED) DECIMALS ANGULAR		BIVAR [®] 4 THOMAS, IRVINE, CA. 92618 TEL: (949) 951-8808 FAX: (949) 951-3974	
		TITLE: IP67 RATED PANEL MOUNT FLP INDICATOR, ORCA	
DESIGNED: TD. Nguyen	DATE: 04/30/17	PART NO: OR3-X.X-XXX-F9PX67PR	REVISION: A
CHECKED: K. Baron	DATE: 04/30/17	CAGE CODE : 32559	SHEET # 2 OF 2
CAD GENERATED DOCUMENT. DO NOT MEASURE DRAWING.			