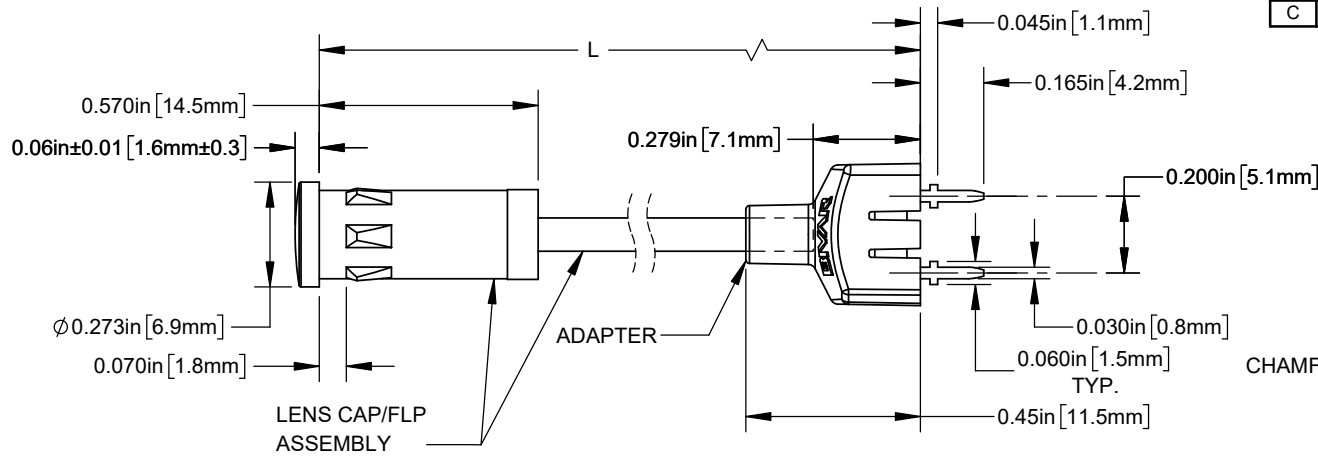
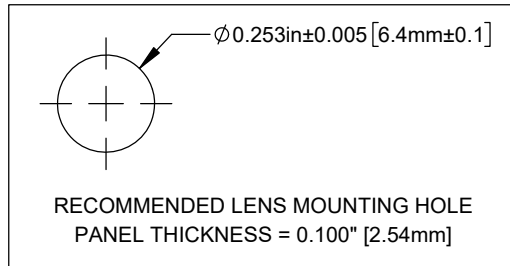
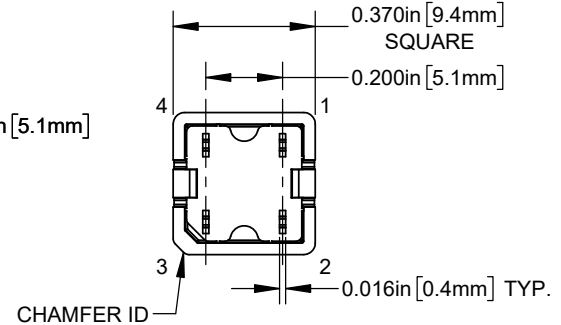


NOTES:

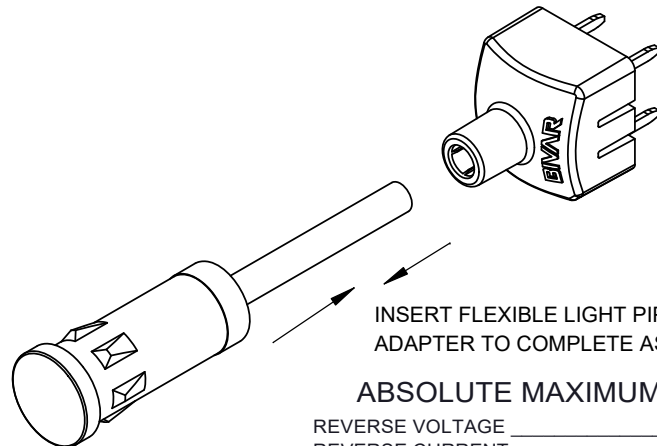
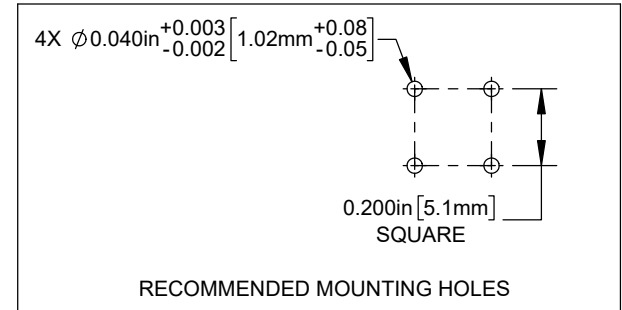
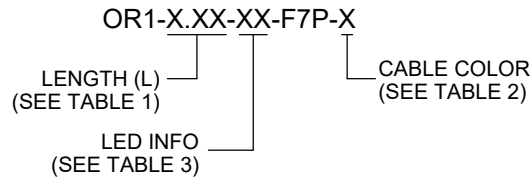
1. COMPONENTS SHIPPED NON-ASSEMBLED.



REVISIONS			
REV.	DESCRIPTION	DATE	APPROVED
A	Engineering Release	09/13/2019	A.V.
B	Updated per ECO-1217	08/30/2023	A.V.
C	ECO-1242: Updated Dimensions & Views	3/27/2024	A.V.



**PART NUMBER CONFIGURATOR**  
 SEE SHEET 2 FOR ORDERING INFORMATION



**ABSOLUTE MAXIMUM RATINGS (Ta=25 C)**

REVERSE VOLTAGE	5V
REVERSE CURRENT	10uA
OPERATING TEMPERATURE RANGE	-25°C ~ +80°C
STORAGE TEMPERATURE	-30°C ~ +80°C
LEAD SOLDERING TEMPERATURE(1/16" FROM BODY)	260°C FOR 3 SECONDS

**CUSTOMER USE DRAWING**

STANDARD TOLERANCE (UNLESS OTHERWISE SPECIFIED)		 4 THOMAS, IRVINE, CA. 92618 TEL: (949) 951-8808 FAX: (949) 951-3974	
DECIMALS	ANGULAR		
.X ± .1	X° ± 1°	TITLE: FLP ASSEMBLY WITH ORCA ADAPTER, FLP5	
.XX ± .02		DESIGNED: K. BARON	DATE: 9/13/2019
.XXX ± .010		REVISION: C	
		DRAWING NO: OR1-X.XX-XX-F7P-X	REVISION: C
		SHEET SIZE: A	CAGE CODE: 32559
		SCALE: 2:1	SHEET # 1 OF 2
		CAD GENERATED DOCUMENT, DO NOT MEASURE DRAWING	

LENGTH (L)*	TOLERANCE
1.00" - 16.00"	±0.05"
16.05" - 40.00"	±0.15"
40.05" - 80.00"	±0.30"
80.05" - 3,940.00"	±0.5%

\*AVAILABLE IN 0.05" INCREMENTS

ORDER CODE	CABLE COLOR
(BLANK)	BLACK
2	RED
4	YELLOW
5	GREEN
6	BLUE
9	WHITE

Assembly P/N	Emitted Color	Dominant Wave Length λd (nm) / CCT(K) Min-Max	Vf (V)			Iv (mcd)		LED P/N	Polarity Diagram
			Min.	Typ.	Max.	Min.	Typ.		
<b>SINGLE COLOR LED ASSEMBLIES (20mA)</b>									
OR1-X.XX-BLU-F7P-X	BLUE	465-475	2.7	3.2	3.6	5000	8000	R20BLU-4-0045	FIG. A
OR1-X.XX-GRN-F7P-X	GREEN	517-527	2.7	3.2	3.6	15000	25000	R20GRN-4-0045	FIG. A
OR1-X.XX-WHT-F7P-X	WHITE	6000K	2.7	3.2	3.6	10000	16000	R20WHT-4-0045	FIG. A
<b>SINGLE COLOR LED ASSEMBLIES (50mA)</b>									
OR1-X.XX-RED-F7P-X	RED	617-627	1.8	2.1	2.4	2500	3000	R50RED-4-0030	FIG. A
OR1-X.XX-YLW-F7P-X	YELLOW	588-596	1.8	2.1	2.4	3000	4000	R50YLW-4-0030	FIG. A
<b>BI-COLOR LED ASSEMBLIES (50mA)</b>									
OR1-X.XX-RG-F7P-X	RED	617-630	1.8	2.4	2.6	3000	4000	R50RG2-4-0045	FIG. B
	GREEN	515-525	3.0	3.4	3.8	6000	10000		
OR1-X.XX-RB-F7P-X	RED	617-630	1.8	2.4	2.6	3000	4000	R50RB2-4-0045	FIG. C
	BLUE	460-470	3.0	3.4	3.8	1000	3000		
OR1-X.XX-BG-F7P-X	BLUE	460-470	3.0	3.4	3.8	1000	3000	R50BG2-4-0045	FIG. D
	GREEN	515-525	3.0	3.4	3.8	6000	10000		
OR1-X.XX-RGB-F7P-X	RED	617-630	1.8	2.4	2.6	3000	4000	R50RGB-4-0045	FIG. E
	GREEN	515-525	3.0	3.4	3.8	6000	10000		
	BLUE	460-470	3.0	3.4	3.8	1000	3000		

**SAMPLE PART NUMBER**

OR1-11.20-BLU-F7P-2

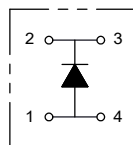


FIG. A

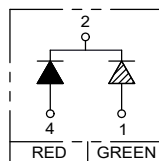


FIG. B

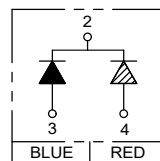


FIG. C

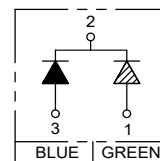


FIG. D

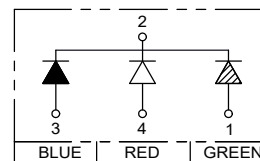


FIG. E

**CUSTOMER USE DRAWING**

<b>CAGE CODE:</b> 32559		<b>DRAWING NO.:</b> OR1-X.XX-XX-F7P-X		<b>REVISION:</b> C
				<b>SHEET # 2 OF 2</b>
<b>SHEET SIZE:</b> A		<b>SCALE:</b> 2:1	<b>CAD GENERATED DOCUMENT, DO NOT MEASURE DRAWING</b>	