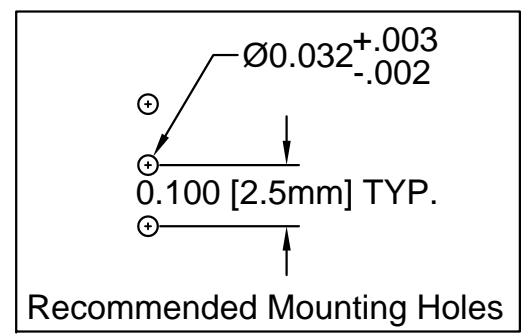
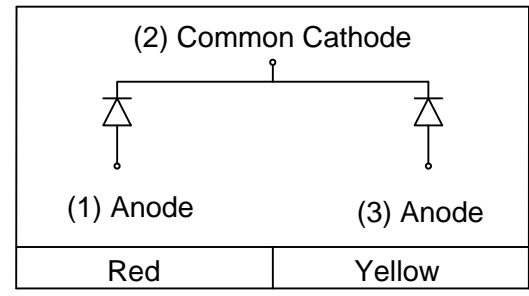
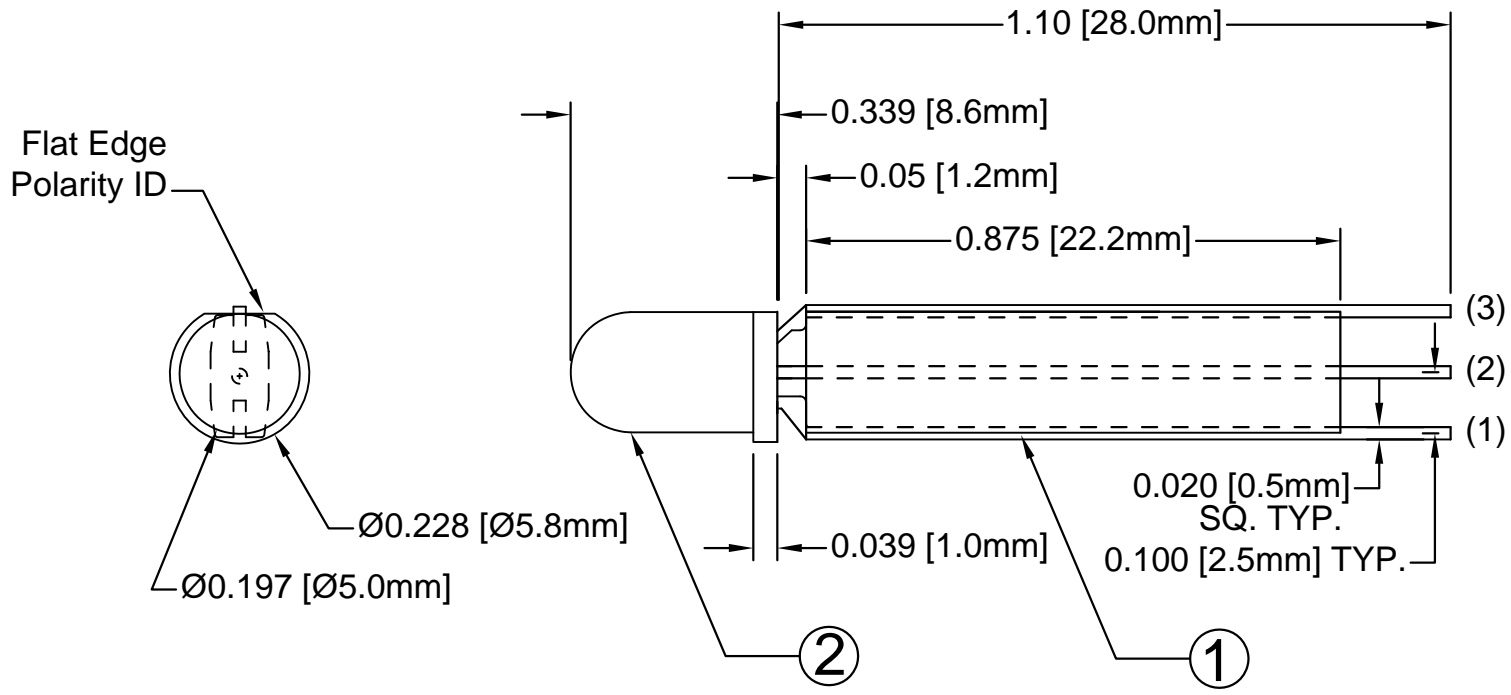


ITEM	QTY	PART NUMBER	PART DESCRIPTION
1	1	ERM 1-875	Extruded, Self-Retaining LED Holder, .875"
2	1	5BC-3-RY-28MM-F	T-1 $\frac{3}{4}$ (5mm) Flanged LED, Bi-Color

REV.	DESCRIPTION	DATE	APPROVED
A	Engineering Release	06/08/09	M. C.
B	Engineering Update w/o Changes	05/25/16	J. C.



LED Part No.	Chip			Lens Appearance	Absolute Max. Ratings				Electro-Optical Data @ 20mA			Viewing Angle (Deg)
	Material	Peak Wave Length λ_p (nm)	Emitted Color		$\Delta\lambda$ (nm)	Pd (mW)	If (mA)	Peak If (mA)	Vf (V)		Iv (mcd)	
									TYP	MAX	TYP	
5BC-3-RY-28MM-F	GaAsP/GaP	625	HE RED	-	85	30	150	2.0	2.8	35	40	
	GaAsP/GaP	590	YELLOW	-	85	30	150	2.0	2.8	30		

ABSOLUTE MAXIMUM RATINGS (Ta = 25°C)

- REVERSE VOLTAGE _____ 5V
- REVERSE CURRENT (VR=5V) _____ 100 μ A
- OPERATING TEMPERATURE RANGE _____ -25°C ~ 85°C
- STORAGE TEMPERATURE _____ -30°C ~ 100°C
- LEAD SOLDERING TEMPERATURE (1/16" FROM BODY) _____ 260°C for 5 Seconds

STANDARD TOLERANCE (UNLESS OTHERWISE SPECIFIED)		 4 THOMAS, IRVINE, CA. 92618 TEL: (949) 951-8808 FAX: (949) 951-3974			
DECIMALS	ANGULAR				
.X \pm .1	X° \pm 1°	 TITLE: EXTRUDED, SELF-RETAINING LED HOLDER ASSY			
.XX \pm .02					
.XXX \pm .010		DESIGNED: R. Paje	DATE: 06/07/09	PART NO: ERM18755BC3RY28	REVISION: B
		CHECKED: T. Yin	DATE: 06/07/09	CAGE CODE : 32559	SHEET # 1 OF 1
CAD GENERATED DOCUMENT. DO NOT MEASURE DRAWING.					