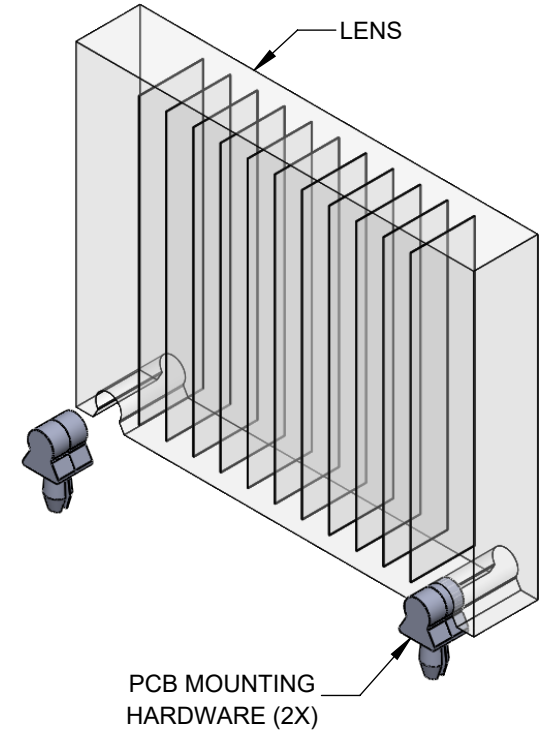
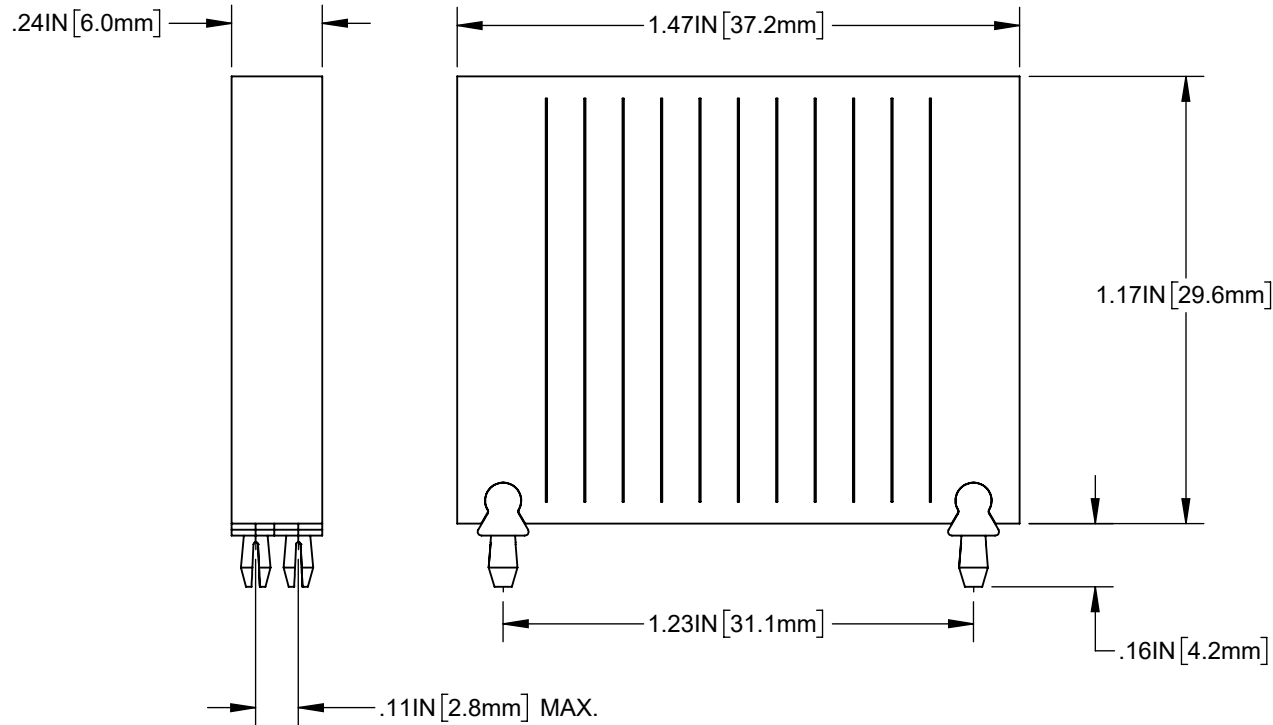


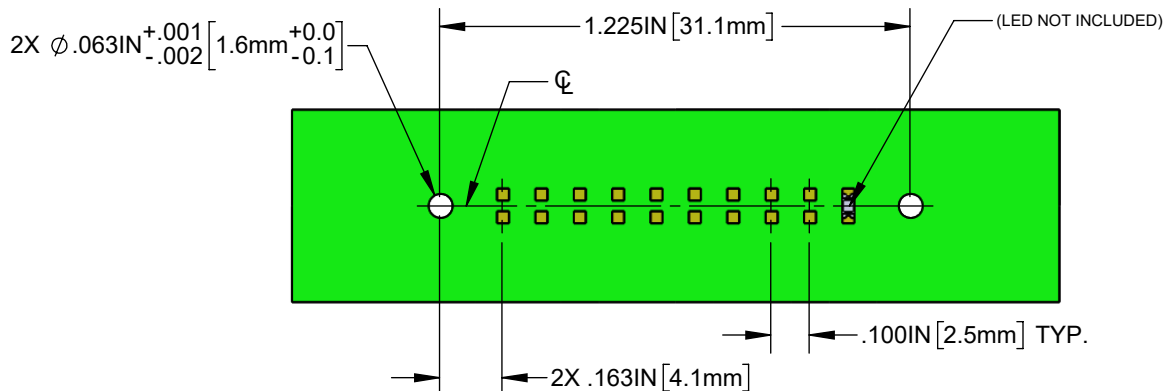
NOTES:

1. LENS MATERIAL: PMMA (ACRYLIC), CLEAR
2. MOUNTING HARDWARE: NYLON 6/6, UL94V-0, BLACK
3. PRODUCT PACKAGED AND SHIPPED ASSEMBLED.

| REVISIONS | | | |
|-----------|---------------------|-----------|----------|
| REV. | DESCRIPTION | DATE | APPROVED |
| A | ENGINEERING RELEASE | 2/29/2024 | A.V. |



RECOMMENDED MOUNTING HOLE PATTERN:



CUSTOMER USE DRAWING

| | | | |
|--|--------------------|--|----------------------------|
| STANDARD TOLERANCE (UNLESS OTHERWISE SPECIFIED) | | 4 THOMAS, IRVINE, CA. 92618 TEL: (949) 951-8808 FAX: (949) 951-3974 | |
| DECIMALS | ANGULAR | | |
| .X ± .1 | X° ± 1° | | |
| .XX ± .01 | | TITLE: BAR GRAPH LIGHT PIPE | |
| .XXX ± .005 | | | |
| DESIGNED: D. KIM | DATE: 2/29/2024 | DRAWING NO: BGLP-0010 | REVISION: A |
| REVISION: | DATE: | SHEET SIZE A | CAGE CODE: 32559 |
| CHECKED: A. VALDEZ | DATE: 2/29/2024 | SCALE: 2:1 | SHEET # 1 OF 1 |
| CAD GENERATED DOCUMENT, DO NOT MEASURE DRAWING | | | |